



SWINGING



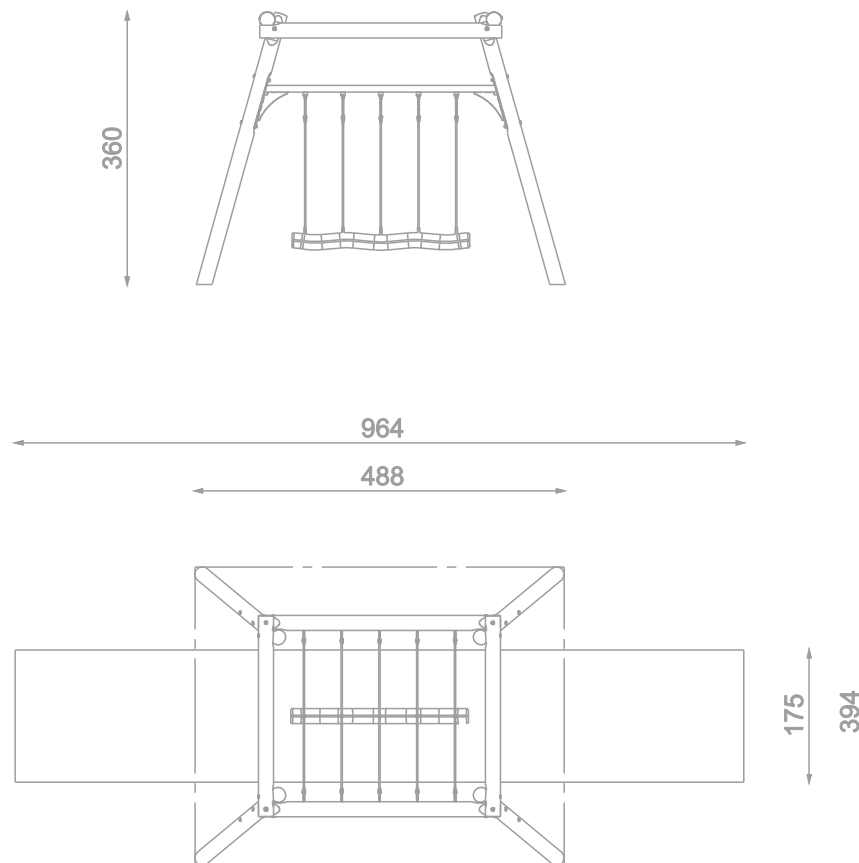
SOCIALIZING

INFORMATION ABOUT THE PRODUCT

Dimensions	ca. 488 x 394 cm
Safety zone	ca. 964 x 175 cm
Overall height	ca. 360cm
Free fall height	ca. 151 cm
Amount of users	4 persons
Product complies with EN 1176-1:2017-12	YES
Availability of spare parts	YES
Age range	3-12
The biggest element	365 cm
The heaviest element	120 kg
According to EN 1176-1:2017-12 norm, the product requires applying a safety surface according to the product's free fall height.	


Visualisation is for reference only,
actual appearance may vary.





SCALE 1:100

MATERIALS:

<p>NATURAL ROBINIA WOOD</p>	<p>ROPE FL. 140 MM HANGED ON ROPES FL. 16 MM, STAINLESS FITTINGS</p>	<p>POLYPROPYLENE ROPES PP - MULTISPLIT TYPE WITH A STEEL CORE AND A DIAMETER OF 16 MM</p>
		
<p>ATTESTED 6 MM STAINLESS STEEL CHAINS</p>	<p>ELEMENTS CONSTRUCTION MADE OF STAINLESS STEEL AISI 304</p>	<p>SOLID CONSTRUCTION MADE OF BLACKSTEEL S235JR, CLEANED IN THE SANDBLASTING PROCESS</p>
